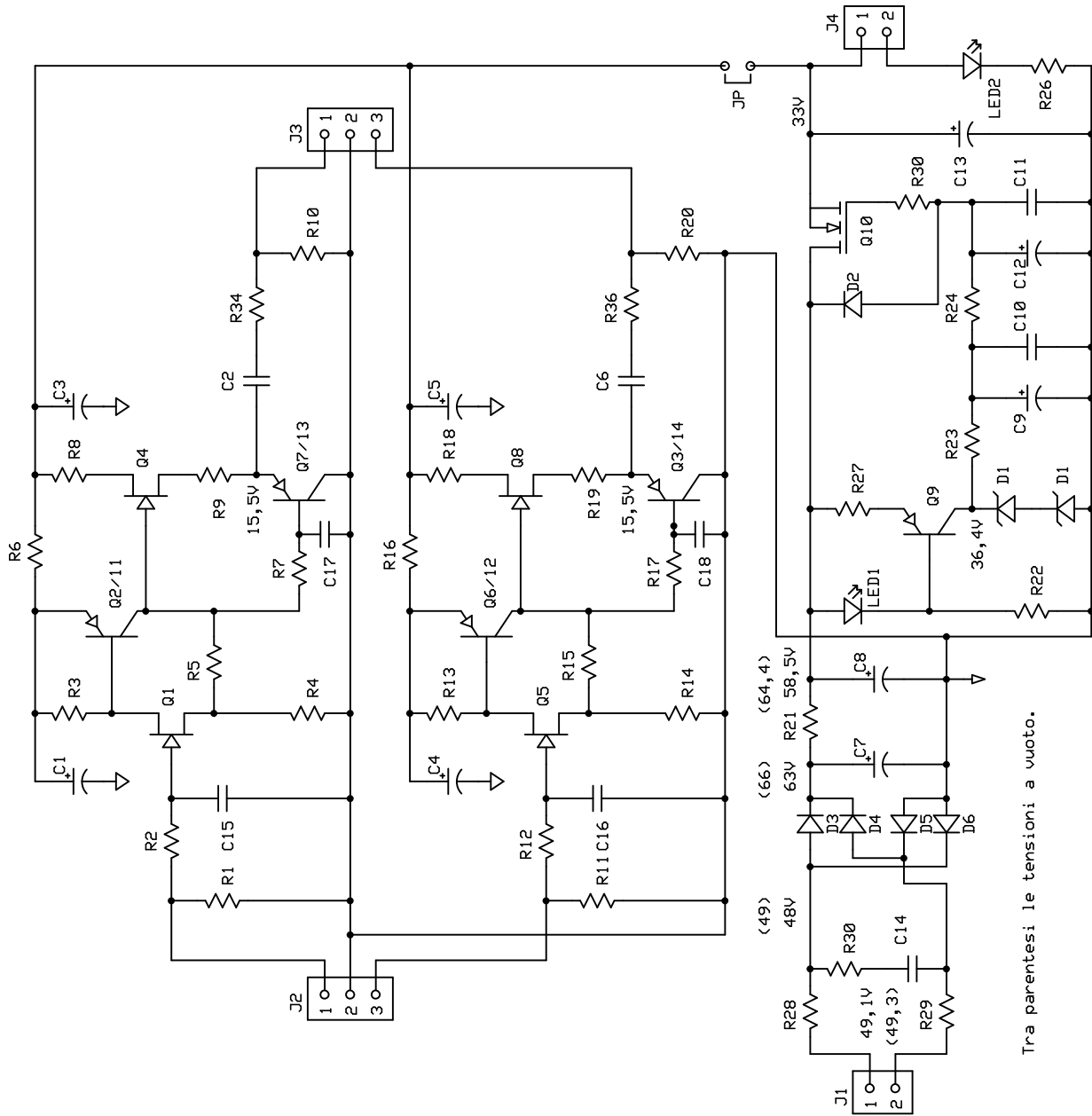


R1 470K R11 470K R21 150 1W
 R2 1K R12 1K R22 15k
 R3 39K R13 39K R23 22K
 R4 1k R14 1k R24 33K
 R5 3k9 R15 3k9 R25 220
 R6 470 R16 470 R26 10k
 R7 2k2 R17 2k2 R27 150
 R8 100 R18 100 R28 15
 R9 100 R19 100 R29 15
 R10 47k R20 47k R30 120
 R34 100 R36 100

TRASFORMATORE: TST20W/2X19V (TME)
 20VA;230VAC;19V;19V;0,52A INDEL TST20/010

C1 470u 50V D1 2x18V 1W
 C2 2x 10uF MKP D2 UF4004
 C3 470uF 50V D3 UF4004
 C4 470uF 50V D4 UF4004
 C5 470uF 50V D5 UF4004
 C6 2x 10uF MKP D6 UF4004
 C7 470uF 65/100V LED1 ROSSO
 C8 2200uF 63/100V LED2 VERDE
 C9 47uF 63/100V Q1 BF256B
 C10 0,1uF Poliestere Q2 BC560C
 C11 0,1uF Poliestere Q3 BC560C
 C12 220uF 63/100V Q4 BF256B
 C13 220uF 63/100V Q5 BF256B
 C14 0,1uF Poliestere Q6 BC560C
 C15 100pF Poliestere Q7 BC560C
 C16 100pF Poliestere Q8 BF256B
 C17 100pF Poliestere Q9 2SA970/2SA733
 C18 100pF Poliestere Q10 IRF540
 J1 in 42V AC Q11 2SAxxx
 J2 in L G R Q12 2SAxxx
 J3 OUT L G R Q13 2SAxxx
 JP Jumper Q14 2SAxxx

R31 R32 R33 R35 ponticello per uso di
 TR 2S per Q11/12/13/14 al posto di Q2/3/6/7



Tra parentesi le tensioni a vuoto.

PRE MML

Schema

Rev 1.0
 07/03/2014

Fernando M.

Page # or name